



Creating Future Together

SMT Smart Storage Catalogue

Address: 327, Siddharth Towers 12/3B, Kothrud, Pune, Maharashtra 411038

Email: agate@smt-india.com info@smt-india.com sales@smt-india.com

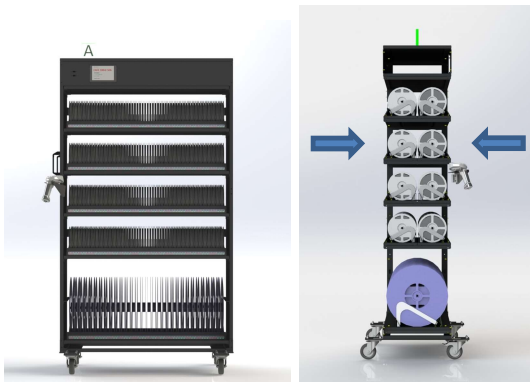
Contact: +91 93255 44783/85 +91 98231 41496

Website: www.smt-india.com

- Galileo Incoming System
- Archimede Smart Storage Shelf
- Archimeded Smart Storage Cart

Options

7" reels shelf (up to 60 positions). Double side
10" reels shelf (up to 60 positions). Single side or double side
13" reels shelf (up to 30 positions). Single side or double side
15" reels shelf (up to 30 positions). Single side only
Trays/bulk components shelf (15 different locations). Single side only
Tubes/bulk components shelf (15 different locations). Single side only



FRONT & LATERAL (SECTION)

Double side loading/retrieval feature to optimize space in the facility.
Up to 720 reels stored in 0,45 m²



MAKE SMART YOUR EXISTING FURNITURES

Use Archimede shelves together with dedicated control pack in your own storage system to get smart features

MAIN FEATURES

- Optimized for SMT reels, tubes and trays
- Streamlines the flow of components between warehouse and production
- **Saves floor space:** up to 720 reels stored in 0,45 m²
- **Reduces kitting time:** modular and flexible, offers versatile configuration and application, extending the benefits of automation from simple storage to more complex goods handling operations such as picking, kitting and refilling etc.
- **Time saver:** 5 seconds reel storage time and less than 3 seconds retrieval time
- BoM management and FiFo functions for easy production control and optimization: residual quantity, real time stock situation, warnings, humidity and expiring data tracking
- **Ind. 4.0 ready:** full traceability, easy link with factory MRP software, custom solution for P&P software
- **Sensors and Leds** on each position for **automatic reels location**
- 7" inches full color touchscreen display and 2D barcode scanner

SOFTWARE PROPERTIES

- A single software to manage all the racks/shelves
- Dedicated **mobile phone app** to follow reel movements along facility
- Easy to use production list creator / import production list from **BOM or P&P file**
- **Presence check** of all components necessary for production based on quantity of boards to be assembled
- Selectable reels finder mode:
 - Light up simultaneously all the components to be picked up
 - Sequential light up according to the chosen criteria (FiFo, expiration date, residual components quantity etc.): display shows the next component to be picked up
- **Import of reel's data** from generic files (e.g.csv generated from management software, purchase orders, delivery note, etc.)
- Real time **printing labels (1D/2D)** during reel's import process
- **Customers/Suppliers manager** function for reels/production lists
- **Operator manager** function: each action is associated with operator who performed it

SHELVES PROPERTIES

- **Full sensorized** positions to prevent picking/storage errors. **RGB Leds** show status for each position
- Real time detection of picking errors
- Touchscreen display for local operations and view reels info
- Barcode scanner
- **Ultra-fast "Scan&Place"** mode: if the reel's code, once scanned, is correctly recognized and present in the DB, simply insert the reel in any empty position
- **Space saver:** reels can be placed in any empty housing suitable for their sizes
- System can be mounted on wheels and equipped with battery to be used close to P&P/feeders. Reduces changeover/setup time and errors



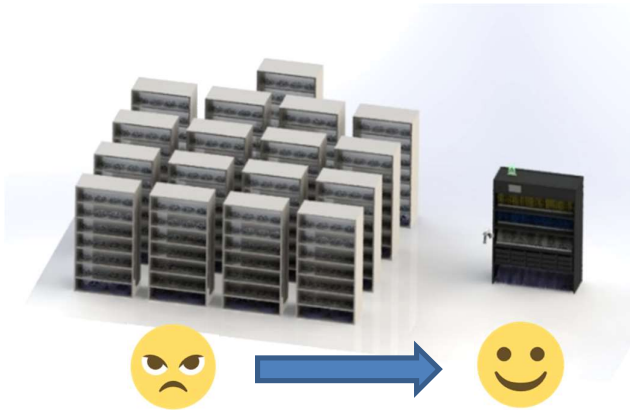
SHELF FOR TRAYS, TUBES OR BULK

15 sensored locations to store trays, tubes or bulk components. Each location can handle different components without errors thanks to barcode scanner



SHELF FOR REELS

Each position is sensored and has a dedicated RGB led. Different operators can simultaneously find their reels identified by different led colors



SAVE FLOOR SPACE FOR NEW PROJECTS

Improve management of floor space: thanks to Archimede you can create new areas to be used for production or for other functions.

Find the components necessary for production easily, quickly and without errors



EASY AND QUICK

GETTING STARTED

1. Import components from your orders or other generic files
2. Create and print labels (barcode, QR code)

STORAGE

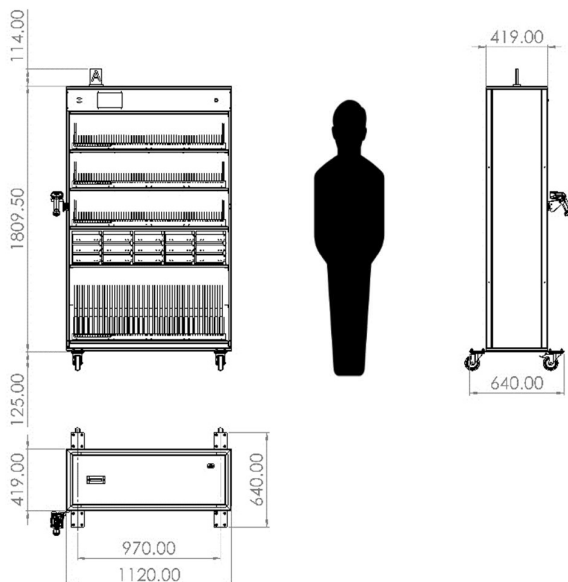
1. Use the scanner and place the reel in one of the spaces identified by the leds
2. Software will verify that all the reels in the list have been inserted

PICKING

1. Create the list (or import it from files as BoM or P&P file) of components to be taken
2. Choose the picking criteria (FiFo, expiring dates, etc.)
3. Take the reels from the positions indicated by the leds

PREPARE FOR ASSEMBLY

Identify reels by mobile app just before inserting them into the pick&place feeders





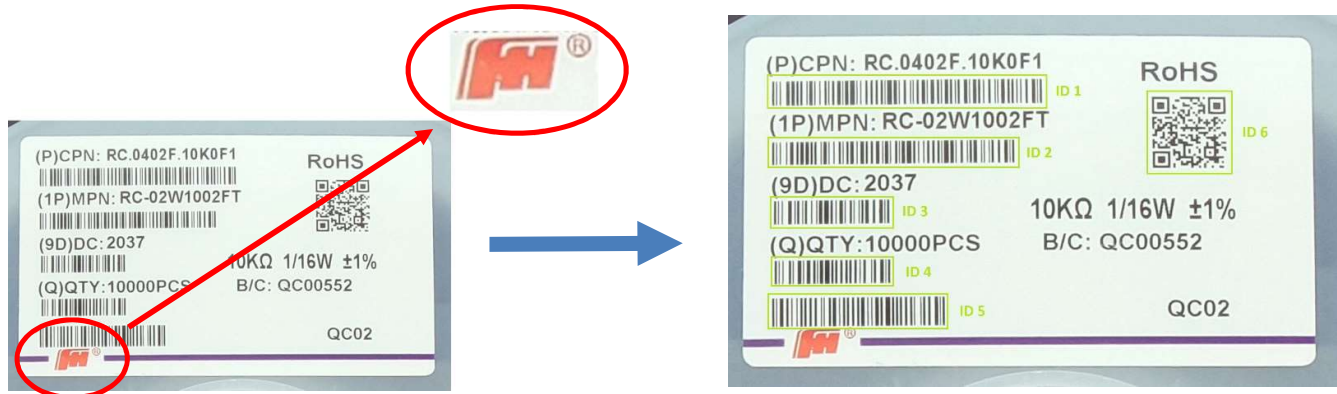
OPTIMIZE COMPONENTS MANAGEMENT

Record all incoming component data **quickly** and **without errors**.

The Galileo incoming system allows to automate the identification process through automatic detection with viewing of the component labels data.

The software automatically recognizes both 1D and 2D barcodes (QR-code and DataMatrix), catalogs them according to the labeling methods of each manufacturer and automatically creates a unique code for each package, directly printing the label to be affixed and used. later with the Archimede system.

In addition to exponentially speed up the data collection operation, it completely eliminates labeling errors that can arise if this operation is carried out manually by an operator.



NATIVELY CONNECTED AND SMART

Galileo learns to recognize your data, identifying any logo and knowing what to look for within the manufacturers' labels.

Each barcode is read, identified and associated with the related data based on their arrangement in the labels.

Thanks to the integrated configurator, it allows you to directly print your labels with the required format and UID, making all this information immediately available to the management system.

Connected to the Archimede system, it makes lengthy and potentially critical component storage and storage operations almost instantaneous and completely free from potential operator errors. All as simple as reading a barcode!

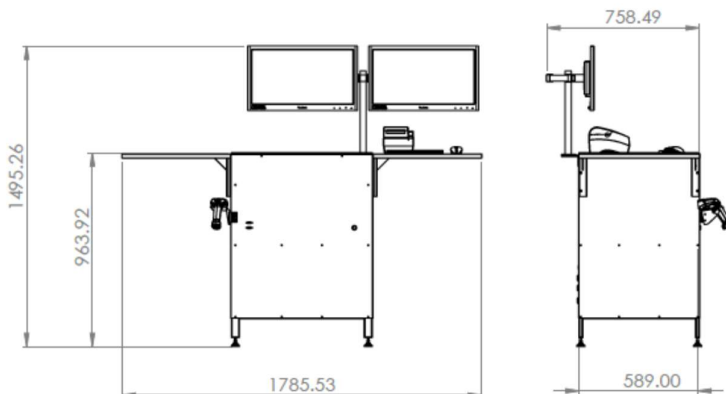
INDUSTRIA 4.0 IT'S NOT JUST A NUMBER...

Make your company truly Industry 4.0.

All Arcadia systems are natively interconnected and ready to exchange data and information between them and the company network.

The Galileo and Archimede component management systems are fully managed and manageable from any location within the company, their information flow and their status is monitored in real time and accessible from any location, including mobile.

Optimize your processes by minimizing the time required for the management and complete tracking of components and make sorting and setup errors an old memory!





ARCHIMEDE SMART SHELVES

Use the same Archimede system shelves.

Each position is equipped with a sensor and a dedicated RGB led.

It is possible to use shelves for all types of SMD components, both in reels (7", 10", 13" and 15") and in trays or in bulk.

Configure your cart as required by typical types of your production batches



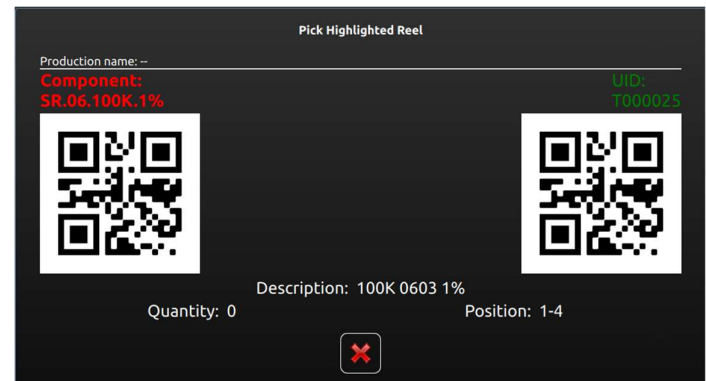
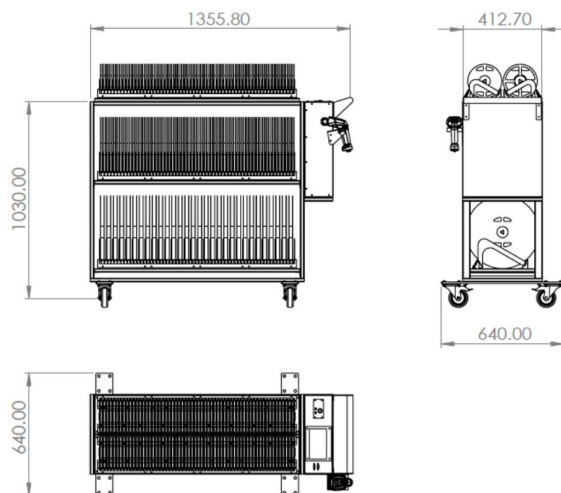
EASY AND QUICK

TRANSFER FROM ARCHIMEDE SYSTEM

1. Create the list of components to be taken from the Archimede management software or load a previously created production
2. Send the pickup request to the system
3. For each cabinet containing the reels to be picked up, choose the transfer method and indicate your cart as the destination
4. Take the components from the positions indicated by the LEDs and place them in any free position of the cart compatible with its type

SET UP YOUR FEEDERS

1. Once the cart has been brought into the set-up area, select the list of components to be inserted in the feeders
2. Choose the component transfer mode (total or sequential)
3. In sequential mode, the components are lighted one at a time and from the cart screen it is possible to see the information of each reel also in QR-code format. In this way, if a barcode reader is connected to the software of your P&P machine, it is possible to enter the component code / UID reading it directly from the display, avoiding any machine setup errors.



BARCODES ON CART DISPLAY TO QUICKLY SETUP P&P FEEDERS

Scan barcodes directly from the cart display to speed up the setup of the feeders for production and make the process error-proof!

